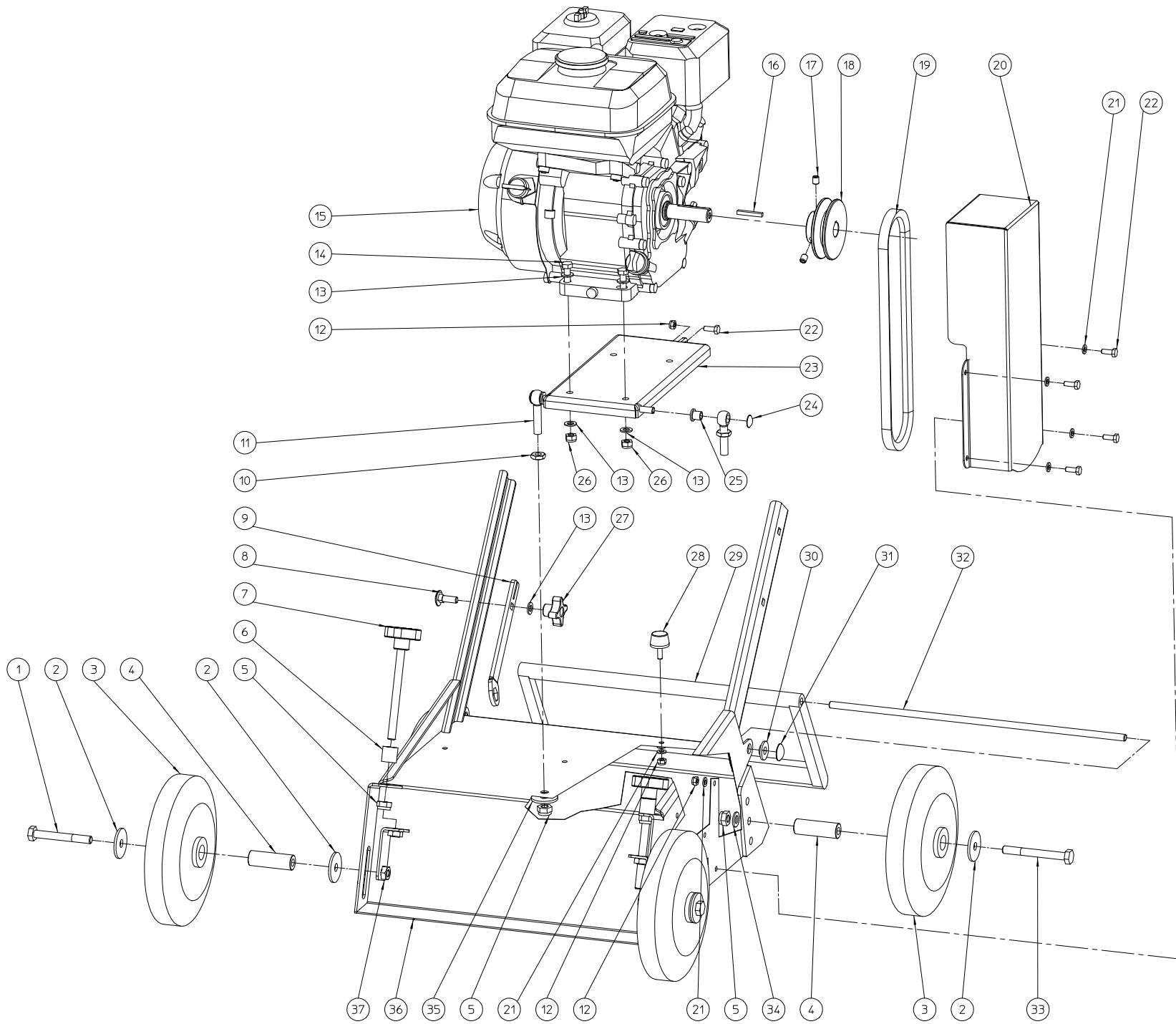


E401 -- ECO LINER						
NO	MA	007	040	121	REV	1
					DATE	2016/03/01

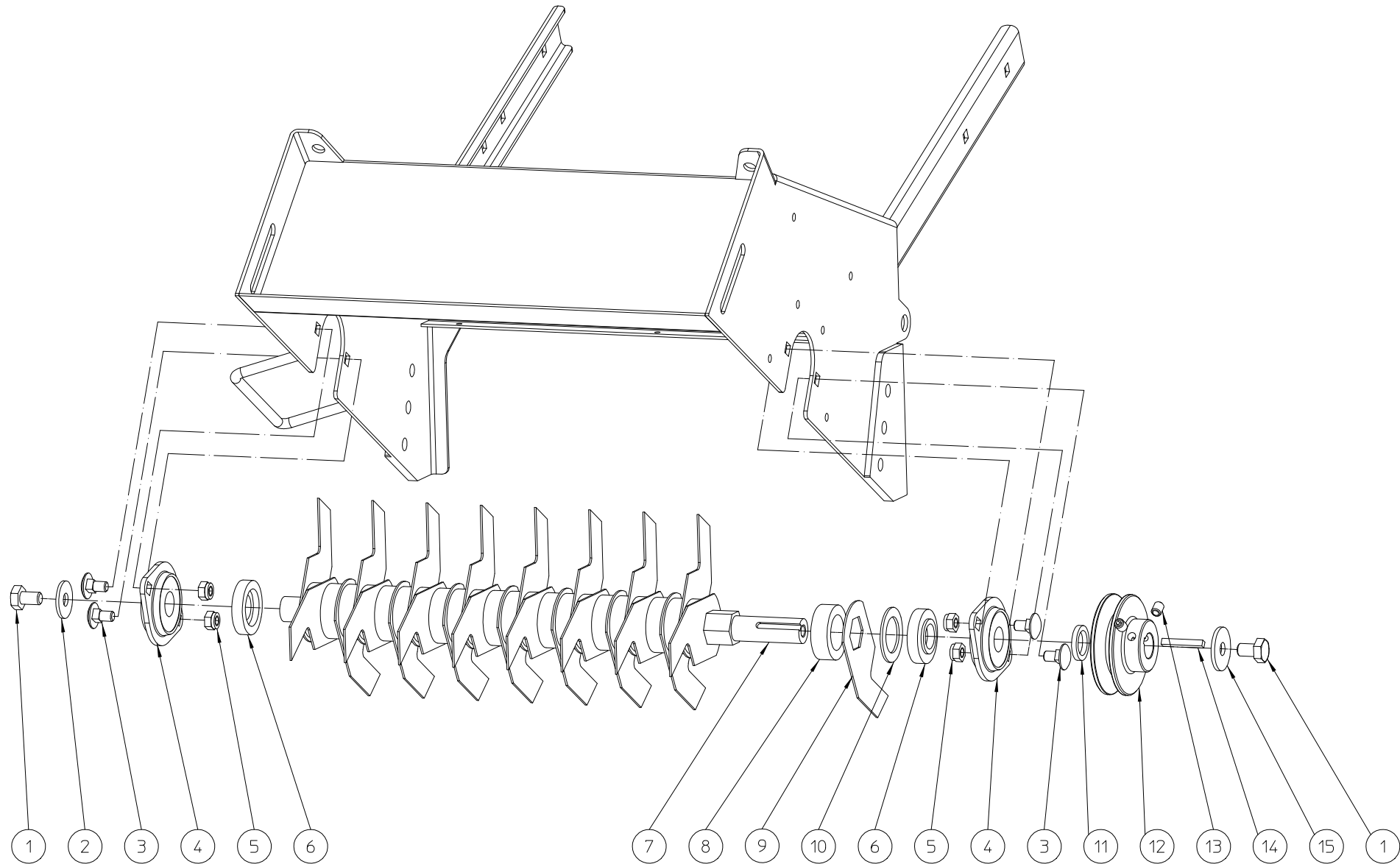
#	Order nr	article description	quantity
1	MMA 01 080 221	rubber wheels	1
2	MMA 01 080 112	rotor eco liner	1
3	MMA 01 080 231	rubber handlebar	1
4	MMA 01 080 405	stickers eco liner comb.	1



E 401 -- CHASSIS RUBBER WHEELS

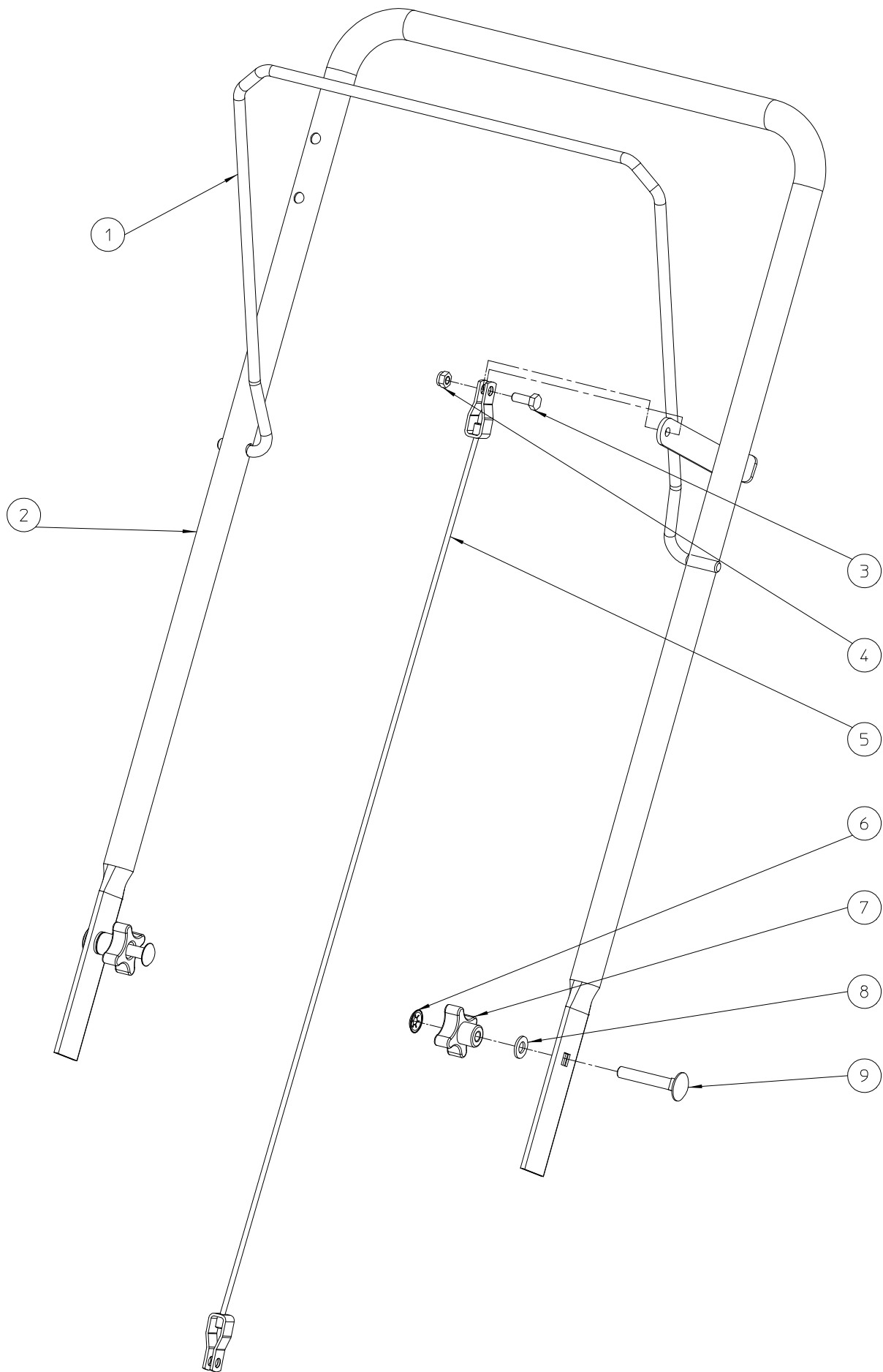
NO	MMA 01 080 221	REV	1	DATE	2016/01/25
----	----------------	-----	---	------	------------

#	Order nr	article description	quantity
1	BS 511 001 048	bolt m10x80 din 931	2
2	BS 532 010 406	washer m10x40x3	6
3	BW 120 020 000	wheel 200/50	4
4	MPA 01 080 230	wheel shaft	4
5	BS 502 001 000	self locking nut m10 din 985	6
6	BR 111 102 010	nylon bushing (10/20x20)	2
7	BN 630 210 500	lob knob 189-50 m10x120	2
8	BS 554 100 825	bolt m8x25 din 603	1
9	MPA 01 080 240	wrench 17	1
10	BS 501 901 000	nut m10 din 439	2
11	BS 551 101 042	eye bolt m10x50 din 444	2
12	BS 502 000 600	self locking nut m6 din 985	8
13	BS 531 000 800	washer m8 din 125	9
14	BS 511 000 835	bolt m8x35 din 931	4
15	BM 202 104 001	honda gx 120	1
16	BB 342 050 535	key 4.7x4.7x35 din 6880	1
17	BS 023 000 810	set screw m8x10 din 916	2
18	BA 565 707 502	pulley spa 75x3/4"x3/16" (engine)	1
19	BA 521 207 490	belt xpa	1
20	MPA 01 080 170	transmission guard (combustion engine)	1
21	BS 531 000 600	washer m6 din 125	11
22	BS 512 000 616	bolt m6x16 din 933	5
23	MPA 01 080 150	engine plate (combustion engine)	1
24	BB 011 000 080	starlock 8mm	2
25	BR 112 081 300	nylon bushing with collar (8/11/16x13/2)	2
26	BS 502 000 800	self locking nut m8 din 985	4
27	BN 630 808 400	lob knob 188-40 m8	1
28	BR 600 425 170	antivibration blocks 25x17b m6x18	1
29	BR 900 000 500	protection cover	1
30	BR 112 100 600	nylon bushing with collar (10/13.5/25x6/2.5)	2
31	BB 011 000 090	starlock 9mm	2
32	MPA 01 080 260	rod 9mm deflector	1
33	BS 511 001 049	bolt m10x90 din 931	2
34	BS 531 001 000	washer m10 din 125	2
35	BS 532 010 356	washer m10x35x3	2
36	MPA 01 080 100	chassis	1
37	MPA 01 080 220	front wheel holder	2



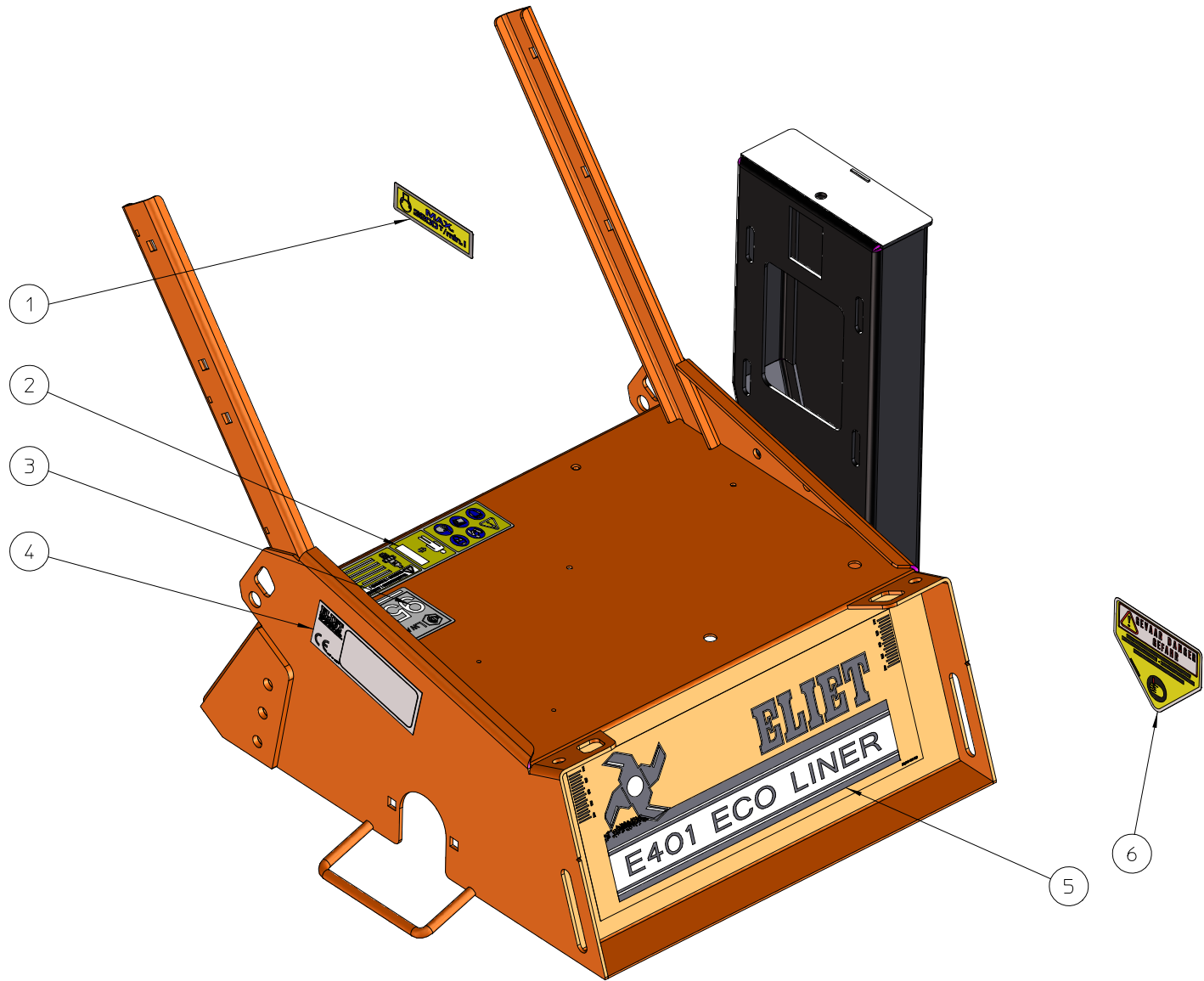
ELIET E401 -- ROTOR SHAFT ECO LINER				
NO	MMA 01 080 112	REV	1	DATE 2016/03/01

#	Order nr	article description	quantity
1	BS 512 001 016	bolt m10x16 din 933	2
2	BS 532 010 305	washer m10x30x2.5	1
3	BS 554 100 816	bolt m8x16 din 603	4
4	BL 801 102 000	bearing + flanges cspfl 204	2
5	BS 502 000 800	self locking nut m8 din 985	4
6	MPA 01 080 510	spacer ring 20x45x10mm	2
7	MPA 01 080 500	blade shaft	1
8	BR 111 291 410	nylon bushing (28.5/44x14)	23
9	BU 402 300 202	set of fixed knives (24) eco liner	1
10	BS 032 029 444	round 29x44x2mm	1
11	MPA 01 080 520	nylon bushing	1
12	BA 565 707 503	pulley spa 75x20x5 (rotor)	1
13	BS 023 000 810	set screw m8x10 din 916	2
14	BB 341 050 535	key 5x5x35 din 6880	1
15	BS 532 010 356	washer m10x35x3	1



E401 -- HANDLEBAR NO RUBBER					
NO	MMA 01 080 231	REV	1	DATE	2016/03/01

#	Order nr	article description	quantity
1	MPA 01 080 135	clutch handle (combustion engine)	1
2	MPA 01 080 125	handlebars (electric engine)	1
3	BS 512 000 616	bolt m6x16 din 933	1
4	BS 502 000 600	self locking nut m6 din 985	1
5	BK 152 250 730	cable 2.5x730mm	1
6	BB 011 000 060	starlock 6mm	2
7	BN 630 808 400	lob knob 188-40 m8	2
8	BS 531 000 800	washer m8 din 125	2
9	BS 554 100 842	bolt m8x50 din 603	2



ELIET E401 – STICKERS ECO LINER COMB.

NO	MMA 01 080 405	REV	1	DATE	2023/05/25
----	----------------	-----	---	------	------------

#	Order nr	article description	quantity
1	BQ 505 010 030	sticker max 3200 rpm 90x25	1
2	BQ 505 010 171	safety sticker 70x115 (pictogram)	1
3	BQ 505 112 095	sticker sound level 95 db	1
4	BQ 505 010 010	identity sticker ce 120x30	1
5	BQ 501 080 020	sticker eliet e401 eco line 335x126	1
6	BQ 505 010 070	safety sticker 100x80 (hand cuts)	1